

# Mobile hand washing station

Hand washing is one of the best ways to protect yourself from illness

## Standard Features

- Stainless steel construction
- 10" x 12" x 4" deep bowl with 1-1/2" drain
- (2) 5 Gallon removable fresh water tanks
- (2) 6 Gallon removable waste water tanks
- 5" Casters, 2 locking, 2 swivel
- 2.5 Gallon water heater
- 1 GPM electric water pump



Piper offers 2 mobile hand washing station designs that can be used in healthcare, education, or any other applications that would require frequent hand washing.

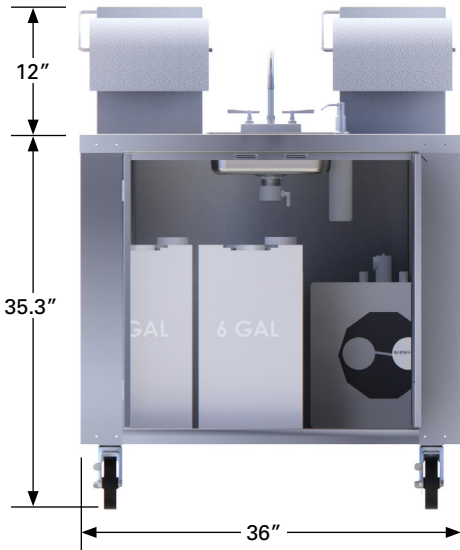
Stainless steel construction makes it easy to clean and sanitary.



Get up to 70 hand washes with hot or cold water with the 5 gallon fresh water tank and 2-1/2 gallon water heater.

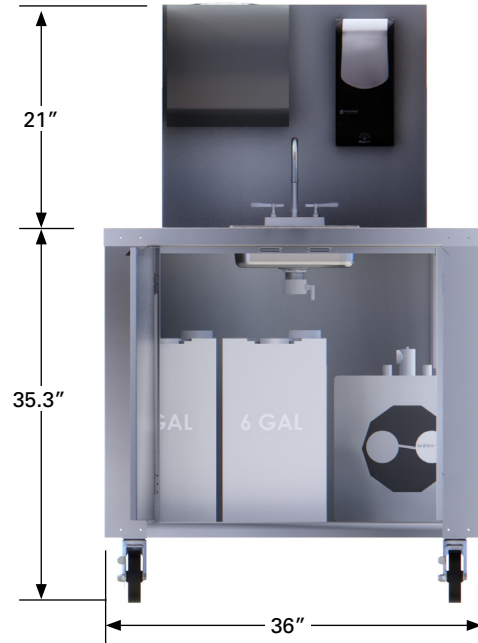
**LACROSSE**  
by **PIPER**

300 S. 84th Avenue • Wausau, WI 54401  
Phone: 800-544-3057 • Fax: 715-842-3125  
[www.lacrossecooler.com](http://www.lacrossecooler.com)



### L050-114457A

- Portable Hand Sink, 36W x 47H x 28D
- For up to 70 hand washes hot or cold water
- (1) 10" wide x 12" front to back x 4" deep bowl with 1-1/2" drain
- (2) 5 gallon removable fresh water tanks
- (2) 6 gallon removable waste water tanks
- Soap & dual paper towel dispensers
- Electric water pump 1 GPM, includes 2.5 Gallon water heater (120V)
- (1) set of stainless doors
- Stainless steel construction
- 5" casters
- Ships fully assembled
- 120V with cord



### L050-114457B

- Portable Hand Sink, 36W x 56H x 28D
- For up to 70 hand washes hot or cold water
- (1) 10" wide x 12" front to back x 4" deep bowl with 1-1/2" drain
- (2) 5 gallon removable fresh water tanks
- (2) 6 gallon removable waste water tanks
- 21" tall backsplash and side splashes around sink bowl
- San Jamar Ultrafold™ Multifold/C-Fold Towel Dispenser
- San Jamar Rely® Hybrid Electronic Touchless Soap
- Electric water pump 1 GPM, includes 2.5 Gallon water heater (120V)
- (1) set of stainless doors
- Stainless steel construction
- 5" casters
- Ships fully assembled
- 120V with cord